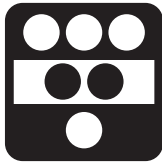


COMPRAG®

EN

DFF-Series
Compressed Air Filters



DFF
OPERATING MANUAL
Version 1.2

DYNAMIC FLOW
FILTRATION

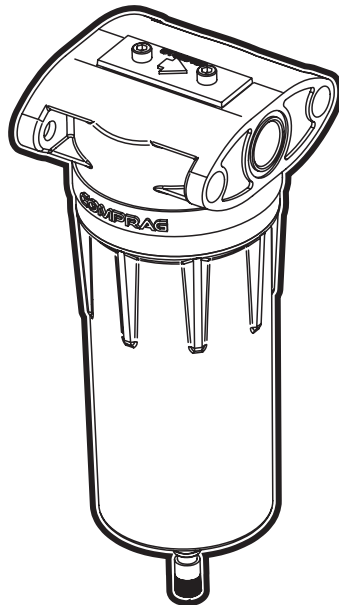
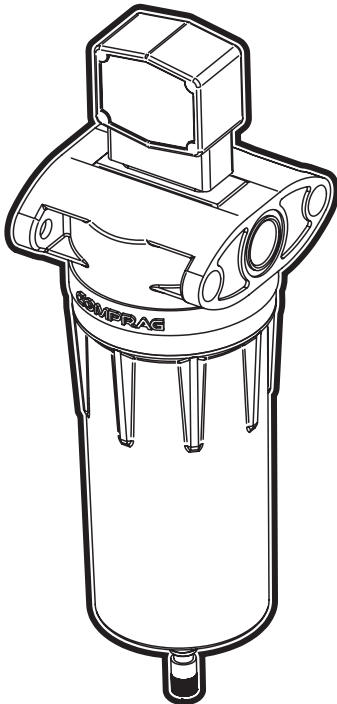
EN

DFS-Series
Compressed Air Water Separators



DFS
OPERATING MANUAL
Version 1.2

DYNAMIC FLOW
SEPARATION



Max. WP = 16 bar
Max. T = 65 °C



Contents

- 1. Wall mounting and connection sets**
- 2. DIN / DMA**
- 3. Maintenance kit**
- 4. Adapter for 1/2" external drain valve**

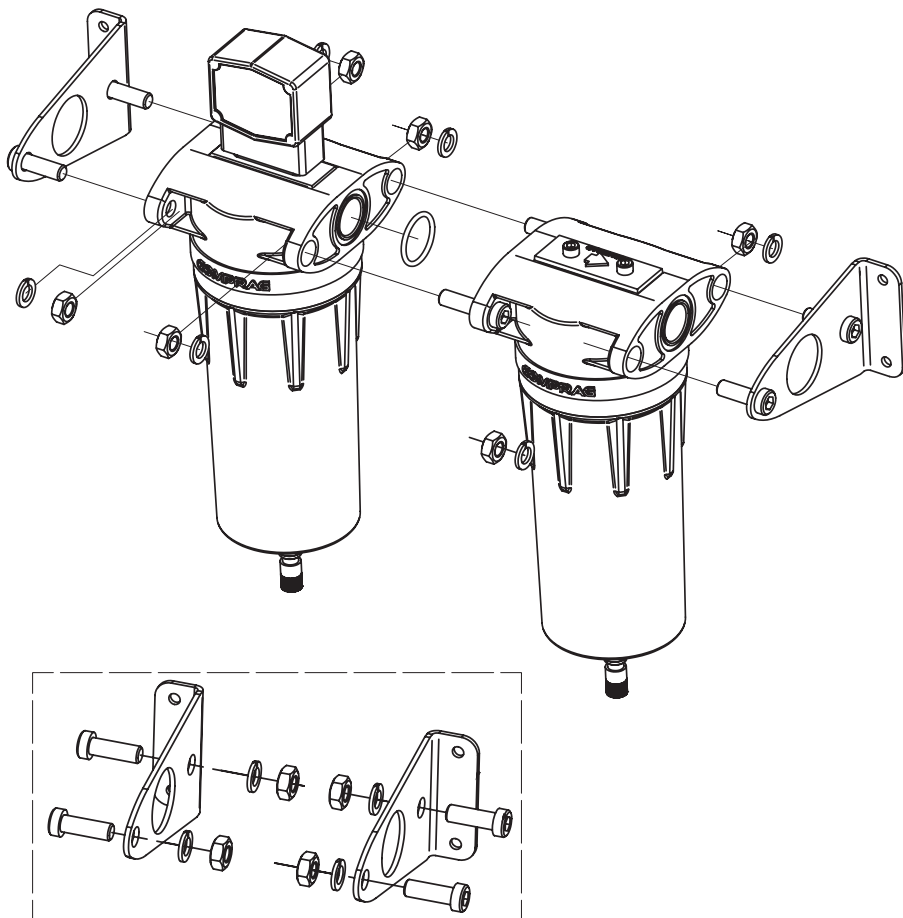
© Comprag ®. All rights reserved.

No part of the text and /or diagram may be reprinted or used without the prior written permission of Comprag.

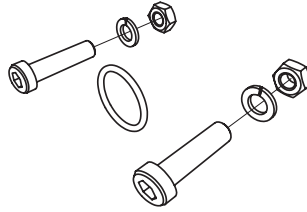
The manufacturer reserves the right to make changes to a product design in order to enhance its technological and operational parameters without notifying the user.

The product type may considerably differ to that displayed in documents.

1. Wall mounting and connection sets



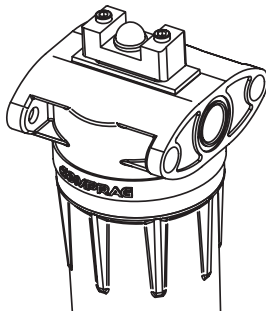
14200181	Wall mounting set 012-016	Wandmontagesatz 012-016	Набор для настенного монтажа 012-016
14200182	Wall mounting set 025-036	Wandmontagesatz 025-036	Набор для настенного монтажа 025-036
14200183	Wall mounting set 047-125	Wandmontagesatz 047-125	Набор для настенного монтажа 047-125



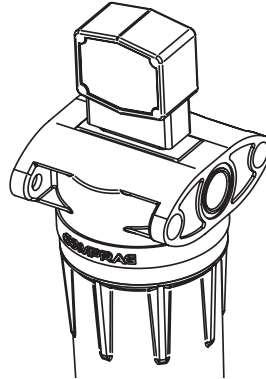
14200184	Filter connection set 012-016	Reiheneinbau-Satz 012-016	Набор для рядного монтажа 012-016
14200185	Filter connection set 025-036	Reiheneinbau-Satz 025-036	Набор для рядного монтажа 025-036
14200186	Filter connection set 047-125	Reiheneinbau-Satz 047-125	Набор для рядного монтажа 047-125

2. DIN / DMA

DIN Differential indicator

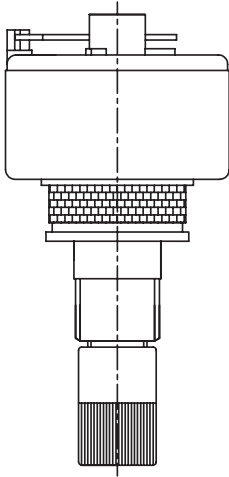


DMA Differential manometer

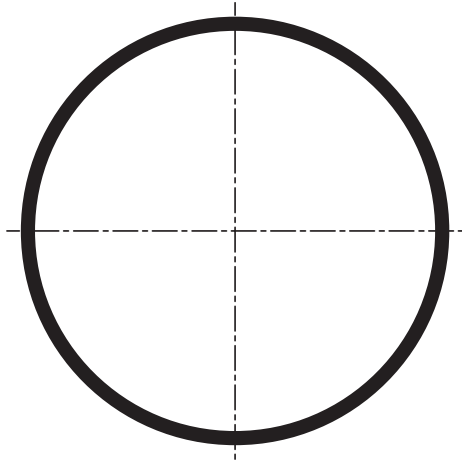


14188101	DIN Differential indicator (for DFF-012/025)	DIN Differenzdruckanzeiger (für DFF-012/025)	DIN Индикатор дифференциального давления (для DFF-012/025)
14188102	DMA Differential manometer (for DFF-032/125)	DMA Differentialmanometer (für DFF-032/125)	DMA Манометер дифференциального давления (для DFF-032/125)

3. Maintenance kit



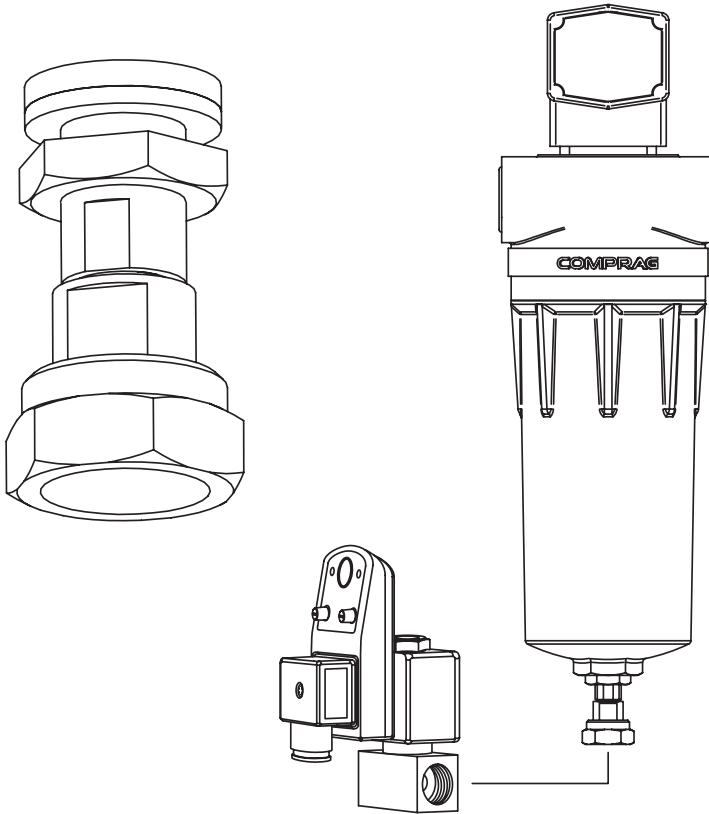
Internal drain valve



Filter Head O-Ring

14200187	Maintainance kit 012-016	Wartungssatz 012-016	Набор для сервиса 012-016
14200188	Maintainance kit 025-036	Wartungssatz 025-036	Набор для сервиса 025-036
14200189	Maintainance kit 047-125	Wartungssatz 047-125	Набор для сервиса 047-125

4. Adapter for 1/2" external drain valve



14200190	Adapter for 1/2" external condensate drain valve	Adapter für 1/2" externes Kondensatablassventil	Адаптер для 1/2" наружного конденсатоотводчика
----------	--	---	--

